



ALPAMER[®] DL SOUD

Concept

PAPIERSPAVIOT
since 1867

PATENTED CONCEPT

Saves on consumable use

Fast use

Hygiene - Safety - Conservation

Isothermal properties

DL Soud[®]



This concept is used by thousands of professionals, and millions of consumers. It makes packaging, transport and storage of seafood more reliable, avoiding any risk of leakage and odours.

This equipment is used with our ALPAMER[®] Tube roll. They optimize and reduce the duration of sealed and solid manufacturing of packaging, ensuring improved conservation as they are heat-resistant.



Sealing dispenser

Our other brands

EXTRAPAP
BLOND 2000

Therm[®]

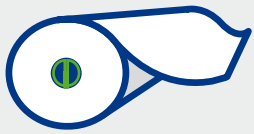
ALPAMER[®] DELI



8, rue du Vercors - ZI Corbas Montmartin 69960 CORBAS - FRANCE

Tel. : 00 33 4 78 20 73 07 - Fax : 00 33 4 78 21 58 79

www.papiers-paviot.fr



PAPIERSPAVIOT
since 1867

ALPAMER[®] DL SOUD

Concept

PATENTED CONCEPT

Saves on consumable use

Fast use

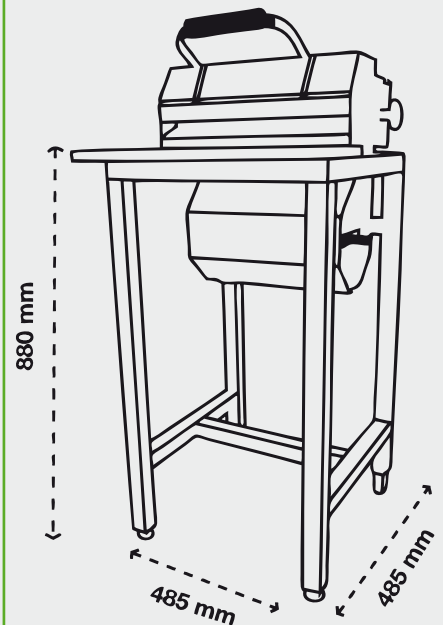
Hygiene - Safety - Conservation

DATA SHEET

Recommended use :

- 1 - Unwind to the length required of the ALPAMER[®] Tube roll .
- 2 - Lower the handle to heat-seal the bag and cut at the desired length.
- 3 - Place the product inside.
- 4 - Position the bag for closing.

DL-SOUD[®]



The Advantages :

- * **Heavy-duty** : Components made from aluminium and stainless steel
- * **Reliable** : Parts and labour guaranteed 1 year
LONG LIFETIME GUARANTEED
- * **Easy** : Installation, use, maintenance

Technical characteristics

Power supply	220 V monophase+ground
Power	200 W
Packaging	ALPAMER [®] Tube roll
Weight	30 Kg

The Service :

Installation of equipment, **training**,
and user **monitoring**,
are performed by our **instructor-demonstrators**
(professionals in the field).
After sales service is carried out by our area manager.



PAPIERSPAVIOT
since 1867

8, rue du Vercors - ZI Corbas Montmartin 69960 CORBAS - FRANCE

Tel. : 00 33 4 78 20 73 07 - Fax : 00 33 4 78 21 58 79

www.papiers-paviot.fr