

PAPIERSPAVIOT
since 1867

Tube ALPAMER®

Concept

PATENTED CONCEPT

Isothermal properties

Fast use

Hygiene - Safety - Conservation

Watertight packaging

ALPAMER® Tube roll
pre-sealed on 2 sides



Our ALPAMER® Tube roll can be combined with our heatsealing equipment. This ensures users and final consumers **efficient safety** when transporting and conserving food products.

Its **smart appearance** brings an **high quality** product image and provides a base for advertising.

This product can be used with the DL-SOUD ALPAMER® concept.



DL-SOUD ALPAMER®

Our other brands

EXTRAPAP
BLOND 2000

Thermop

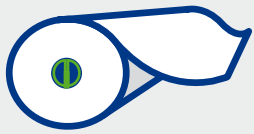
ALPAMER® DELI



8, rue du Vercors - ZI Corbas Montmartin 69960 CORBAS - FRANCE

Tel. : 00 33 4 78 20 73 07 - Fax : 00 33 4 78 21 58 79

www.papiers-paviot.fr



PAPIERSPAVIOT
since 1867

Tube ALPAMER®

Concept

PATENTED CONCEPT

Packaging with isothermal characteristics

Hygiene - Safety - Conservation

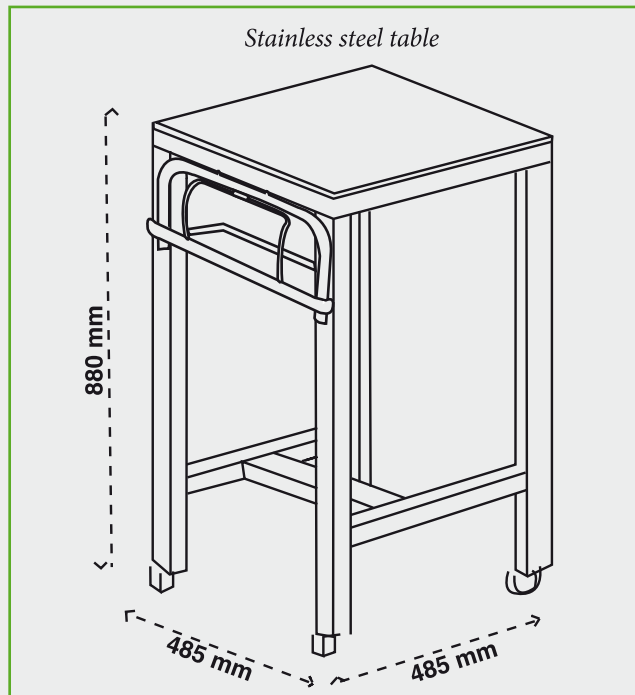
Watertight packaging

DATA SHEET

ALPAMER®Pack + stainless steel table



Stainless steel table



The Advantages :

- * **Heavy-duty** : In materials authorized for use in wet and food environments
- * **Compact and practical** : Not bulky in the sales area
- * **Quick installation**
- * **Integrated stainless steel dispenser**
- * **Mobile** : With 2 wheeled stands and 2 adjustable stands

The Service :

Installation of equipment, **training**, and user **monitoring**, are performed by our **instructor-demonstrators** (professionals in the field).
After sales service is carried out by our area manager.

Technical characteristics

Power supply	220 V monophase+ground
Power	200 W
Packaging	ALPAMER® container concept
Weight	30 Kg



PAPIERSPAVIOT
since 1867

8, rue du Vercors - ZI Corbas Montmartin 69960 CORBAS - FRANCE

Tel. : 00 33 4 78 20 73 07 - Fax : 00 33 4 78 21 58 79

www.papiers-paviot.fr